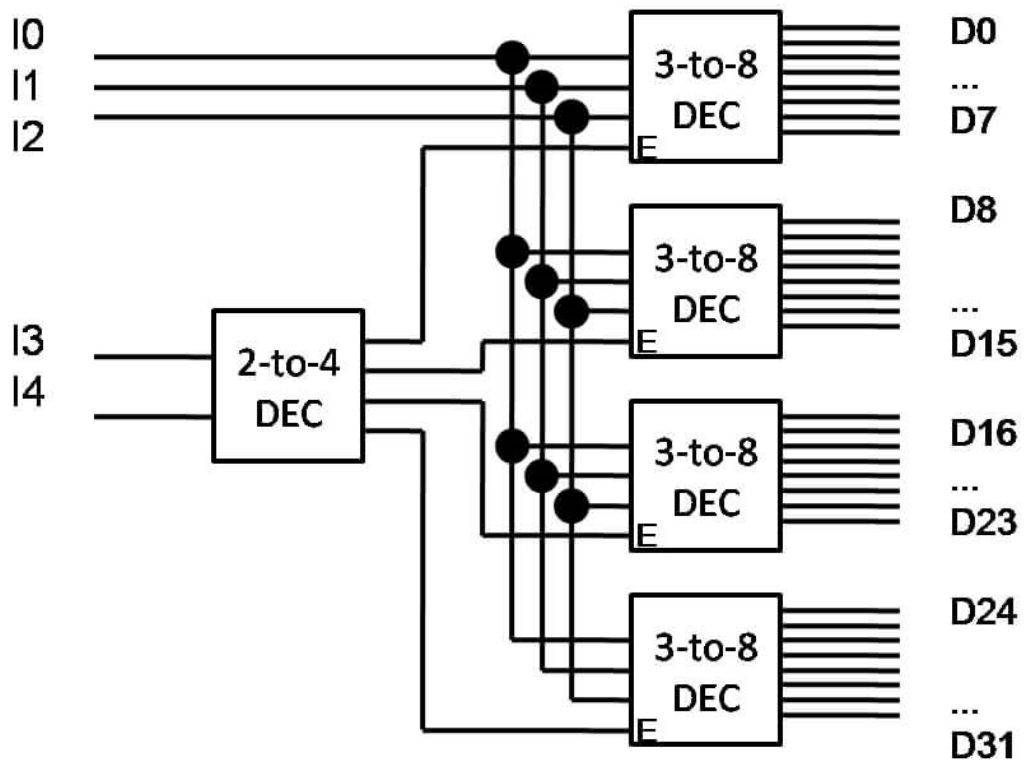


**Design a 5 x 32 decoder with four 3 x 8 decoder with enable and one 2 x 4 decoder. Use block diagrams only.**

Solution:

Inputs of decoders are  $I_0, I_1, I_2, I_3$  and  $I_4$  and  
Outputs are  $D_0$  to  $D_{31}$



5-to-32 line decoder